

e u r o r a n g e

RAVELLI[®]
il fuoco intelligente

Get comfortable with the sofia wood pellet fire

WiFi
Optional



clean air
approved



economical



leading
design

The Sofia wood pellet fire combines the latest European technology with design excellence.

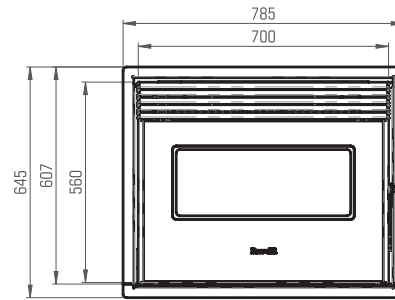
Fully programmable with thermostat, timer and optional Wi-Fi.

- 84% efficient
- 9kW max. heat output
- Runs on renewable, sustainable, wood pellet fuel
- Italian design & style
- Touch button technology for easy operation
- Proven performance in Europe, now available in New Zealand.

**Pellet Fire
Solutions**



Dimensions



Features & Benefits

- Flush mounted insert design
ideal for installation in a masonry cavity, adding a stylish visual feature while saving valuable space
- Easy refuelling
unit slides forward easily and smoothly to allow for easy refuelling.
- Remote, timer & thermostat controls
manage heat using a remote control and thermostat or set your fire to turn off/on according to time. Wi-Fi optional
- Burns renewable, NZ made, low emission pellet fuel
virtually smoke free combustion for healthy, clean air
- Automatic ignition
easy to use for cleaner, faster, 'no fuss' warmth
- Highly efficient
produces virtually no smoke and leaves very small amounts of ash
- Clean air approved, meets national environmental standards

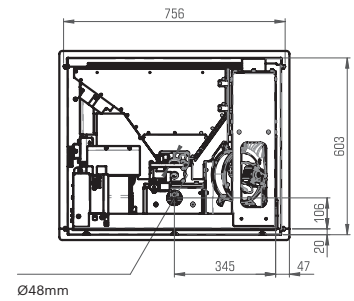


- Made in NZ from natural untreated radiata pine wood waste
- Economical
- Low moisture - high in energy
- Clean and easy to store
- Great for the planet

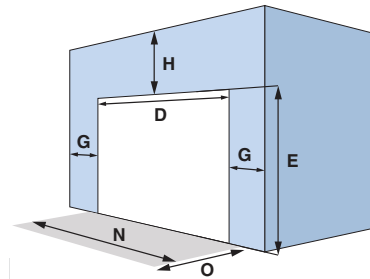
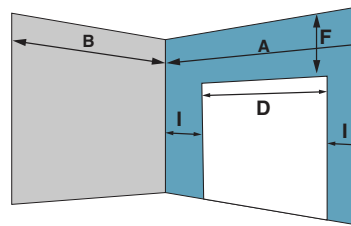
Performance

Efficiency	84%
Maximum heat output	9kW
Hopper capacity	12kg
Living Area	*Average size

* Subject to insulation levels



Clearance to combustibles



Location		Location	
A	1060	I	150
B	575	K	100
D	760	L	150
E	625	M	150
F	275	N	950
G	105	O	195
H	230		

Surround Dimensions

Retro Surround
950mm (w) x 680mm (h) x 46mm (d)

Note: Built-in fire clearances don't apply in a non-combustible cavity. The above clearance to combustibles for the flue are only applicable within the fire cavity. Clearance outside this eg at a ceiling/wall thimble reverts to 25mm as per ARS flue test 05/1185. Correct as at September 2015.

Please refer to installation specs for masonry clearances

Bird's Eye View

