

m o d e r n r a n g e



Get comfortable with the evolution wood pellet fire



The Evolution wood pellet fire delivers comforting warmth to your home, circulating the heat to quickly and efficiently warm the entire room. The traditional style and design will suit many settings while the look and feel of a real flame simply can't be beaten for romance, ambience and comfort.

- 80% Efficient
- 9.7kW max. heat output
- Runs on renewable, sustainable, wood pellet fuel
- Traditional design & style
- Push button technology for easy operation
- Proven performance in North America, now available in New Zealand.

**Pellet Fire
Solutions**



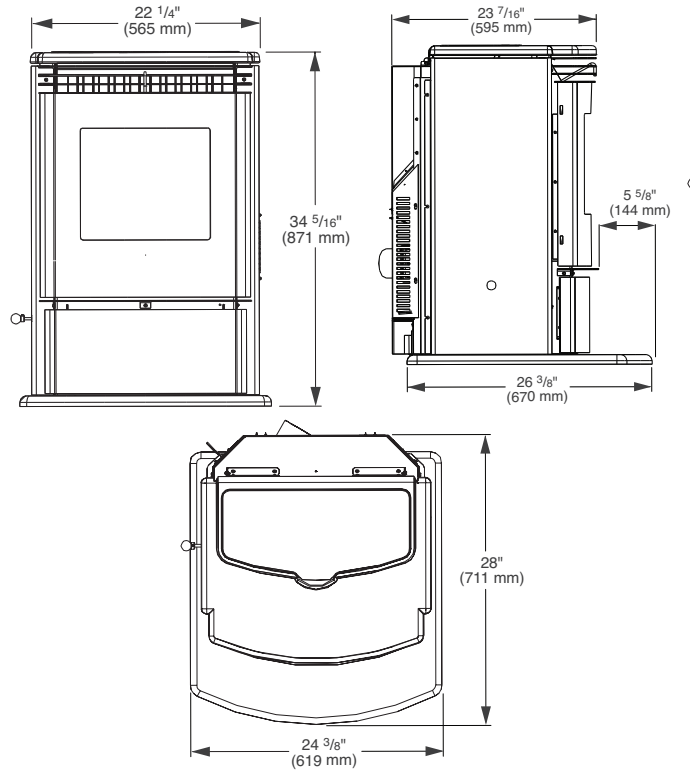
Features & Benefits

- Free-standing design
fits easily into many spaces
- Fan assisted heating
efficiently circulates warm air around the room heating it quickly
- Burns renewable, NZ made, low emission pellet fuel
virtually smoke free combustion for healthy, clean air
- Automatic ignition
easy to use for cleaner, faster, 'no fuss' warmth
- Highly efficient
produces virtually no smoke and leaves very small amounts of ash
- Clean Air approved, National Environmental Standards



- Made in NZ from natural untreated radiata pine wood waste
- Economical
- Low moisture - high in energy
- Clean and easy to store
- Great for the planet

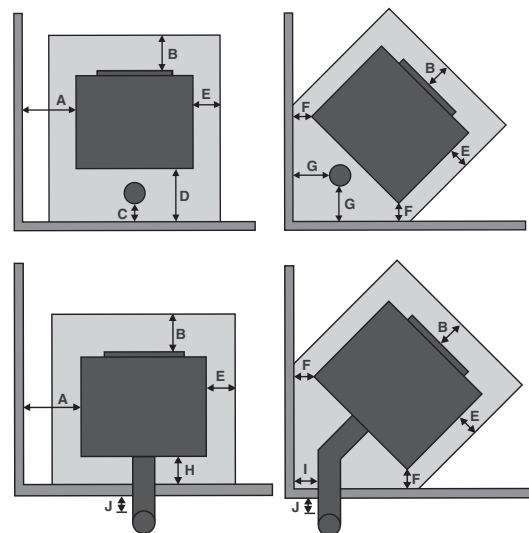
Dimensions



Performance

Efficiency	80%
Maximum heat output	9.7kW
Hopper capacity	approx. 27kg
Living Area	*Average - large * Subject to insulation levels

Clearance to combustibles



Location	Dimension (mm)
A	200
B	150
C*	50
D	n/a
E	n/a
F	100
G*	50
H	100
I*	50
J*	25

* from shielded flue
* 75mm to unlined flue

Note: The above clearance to combustibles for the flue are only applicable within the fire envelope. Clearance outside this eg at a ceiling/wall thimble reverts to 25mm as per ARS flue test 05/1185. Correct as at September 2015.