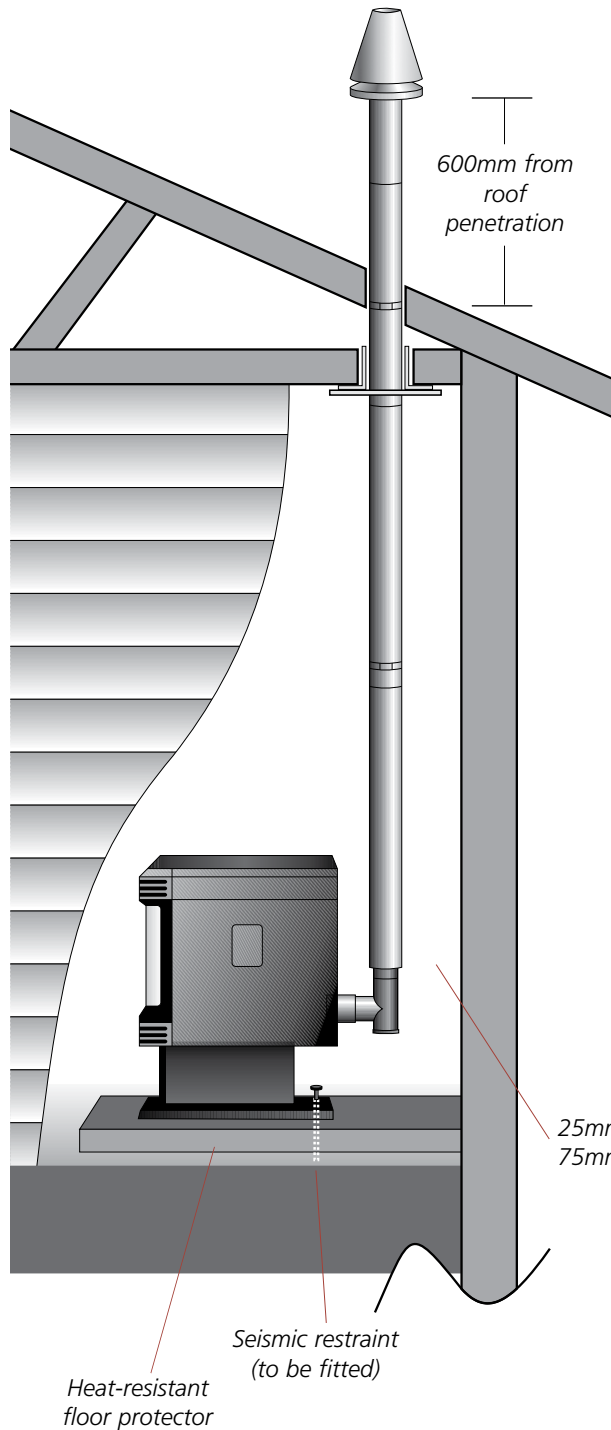


50S/B Internal Standard Flue Kit

This flue kit may be used in new and replacement applications in rooms with stud height of 2.4m. The overall height of the flue is 3.6m. The visible flue is finished in black and the ceiling plate is white. The support angles for securing the liner to the ceiling are not shown. Kit is supplied in a carton.



Each 50S/B Internal Standard Flue Kit contains:-

Part No	Description	Quantity
1	Galvanised outer liner ø100mm x 900mm long	1
1sb	Black Stovebright outer liner ø100mm x 900mm long	3
2	Stainless steel inner liner ø75mm x 900mm long	4
5	Inner/outer flue liner spacer	2
6c	Ceiling thimble ø107mm hole	1
7c	Ceiling decor plate ø107mm hole – white	1
46	Velocity cone	1
9	Rain Cap 100mm	1
10sb	Elbow 45° – ø75mm stainless – black (painted)	1
12sb	T-adaptor/cleanout – ø75mm – black (painted)	1
702	Support angle 950mm long – 40mm x 40mm sides	2

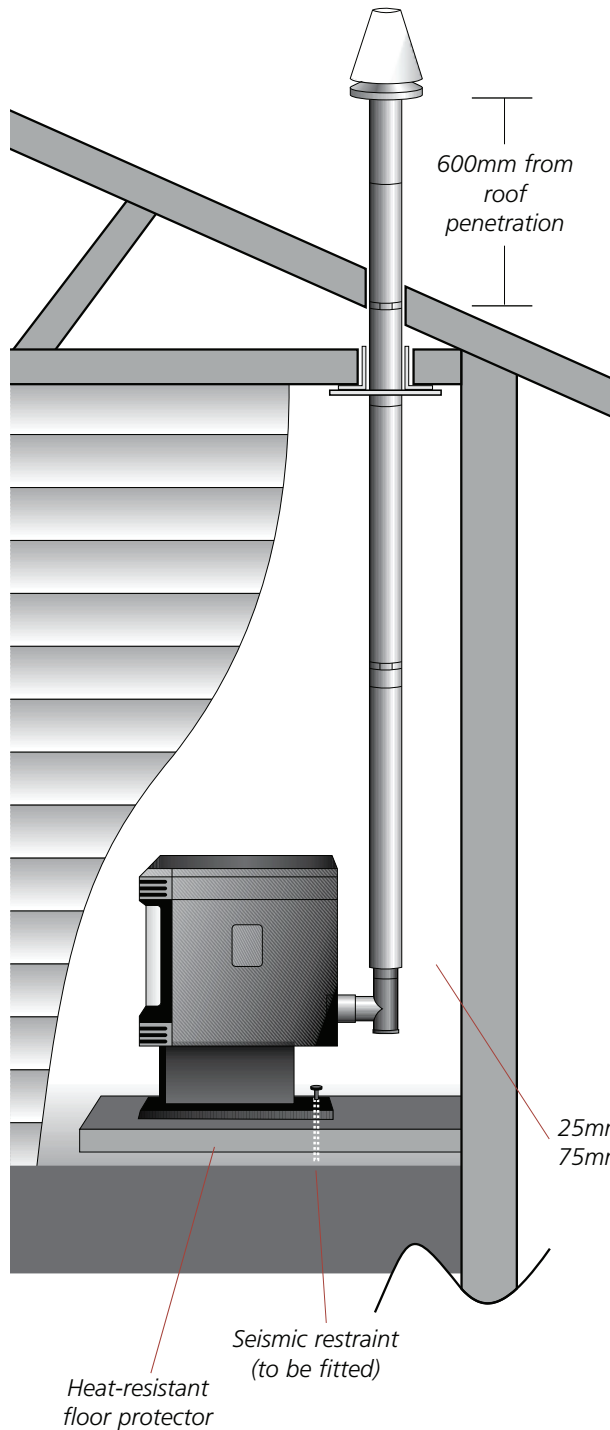
Note: The Davin 50 S/B Internal Standard Flue Kit complies with AS/NZS 2918:2001 as per Applied Research Test Report 05/1185, dated 15 September 2005.

All fires must be installed by a qualified installer as per the manufacturer's instructions.



50SBros Internal Standard Flue Kit Rosa

This flue kit may be used in new and replacement applications in rooms with stud height of 2.4m. The overall height of the flue is 3.6m. The visible flue is finished in black and the ceiling plate is white. The support angles for securing the liner to the ceiling are not shown. Kit is supplied in a carton.



Each 50SBros Internal Standard Flue Kit contains:-

Part No	Description	Quantity
1	Galvanised outer liner ø100mm x 900mm long	1
1sb	Black Stovebright outer liner ø100mm x 900mm long	3
2	Stainless steel inner liner ø75mm x 900mm long	4
5	Inner/outer flue liner spacer	2
6c	Ceiling thimble ø107mm hole	1
7c	Ceiling decor plate ø107mm hole – white	1
46	Velocity cone	1
9	Rain Cap 100mm	1
23sb	T-adaptor/cleanout – ø75mm – black (painted)	1
702	Support angle 950mm long – 40mm x 40mm sides	2

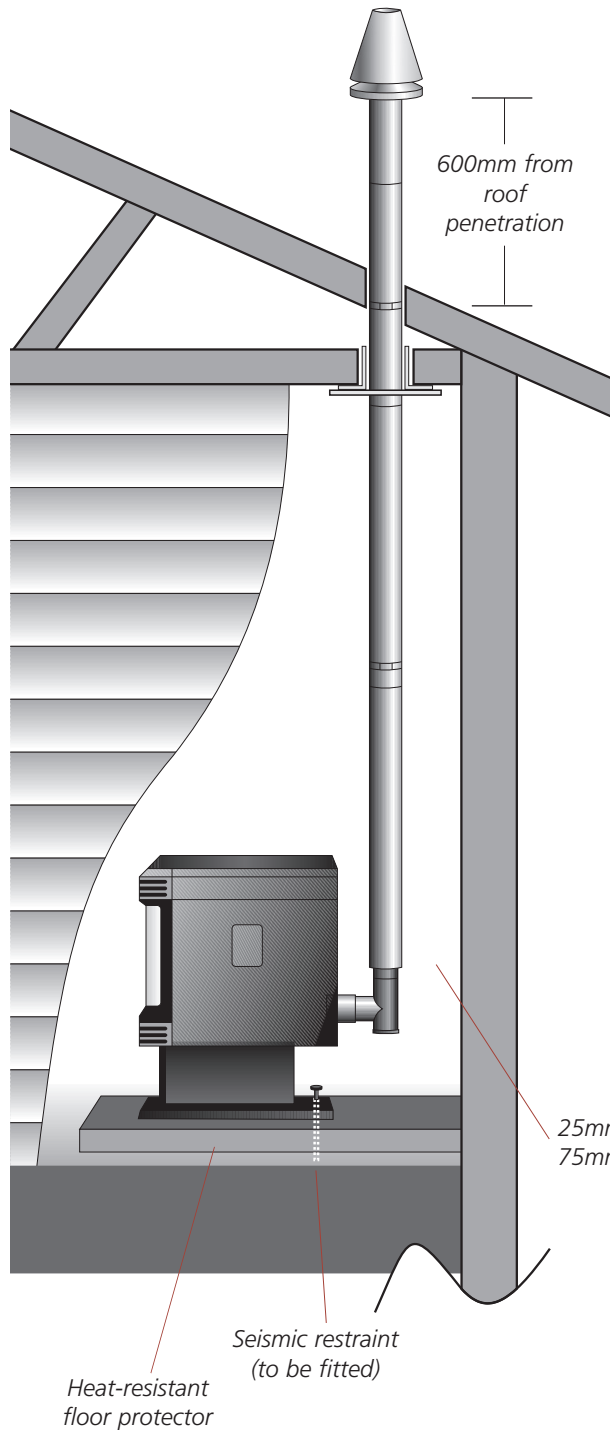
Note: The Davin 50 S/B Internal Standard Flue Kit complies with AS/NZS 2918:2001 as per Applied Research Test Report 05/1185, dated 15 September 2005.

All fires must be installed by a qualified installer as per the manufacturer's instructions.



50SBmon *Internal Standard Flue Kit Monica*

This flue kit may be used in new and replacement applications in rooms with stud height of 2.4m. The overall height of the flue is 3.6m. The visible flue is finished in black and the ceiling plate is white. The support angles for securing the liner to the ceiling are not shown. Kit is supplied in a carton.



Each 50SBmon Internal Standard Flue Kit contains:-

Part No	Description	Quantity
1	Galvanised outer liner ø100mm x 900mm long	1
1sb	Black Stovebright outer liner ø100mm x 900mm long	3
2	Stainless steel inner liner ø75mm x 900mm long	4
5	Inner/outer flue liner spacer	2
6c	Ceiling thimble ø107mm hole	1
7c	Ceiling decor plate ø107mm hole – white	1
46	Velocity cone	1
9	Rain Cap 100mm	1
15sb	Elbow 45° – ø75mm stainless – black (<i>painted</i>)	1
14sb	T-adaptor/cleanout – ø75mm – black (<i>painted</i>)	1
702	Support angle 950mm long – 40mm x 40mm sides	2

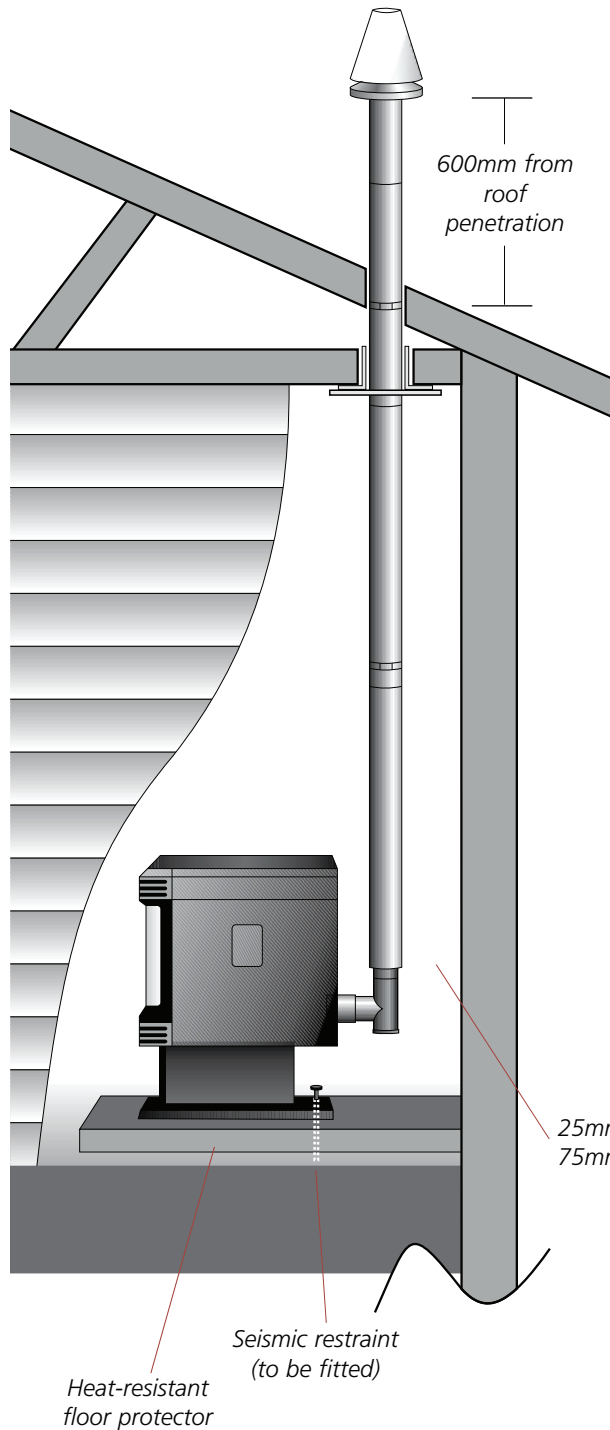
Note: The Davin 50SBmon Internal Standard Flue Kit complies with AS/NZS 2918:2001 as per Applied Research Test Report 05/1185, dated 15 September 2005.

All fires must be installed by a qualified installer as per the manufacturer's instructions.



50SBD/N Internal Standard Flue Kit Dual/Natural

This flue kit may be used in new and replacement applications in rooms with stud height of 2.4m. The overall height of the flue is 3.6m. The visible flue is finished in black and the ceiling plate is white. The support angles for securing the liner to the ceiling are not shown. Kit is supplied in a carton.



Each 50SBD/N Internal Standard Flue Kit contains:-

Part No	Description	Quantity
1	Galvanised outer liner ø100mm x 900mm long	1
1sb	Black Stovebright outer liner ø100mm x 900mm long	3
2	Stainless steel inner liner ø75mm x 900mm long	4
5	Inner/outer flue liner spacer	2
6c	Ceiling thimble ø107mm hole	1
7c	Ceiling decor plate ø107mm hole – white	1
46	Velocity cone	1
9	Rain Cap 100mm	1
81	T-adaptor/cleanout – black (painted) – ø75mm	1
702	Support angle 950mm long – 40mm x 40mm sides	2

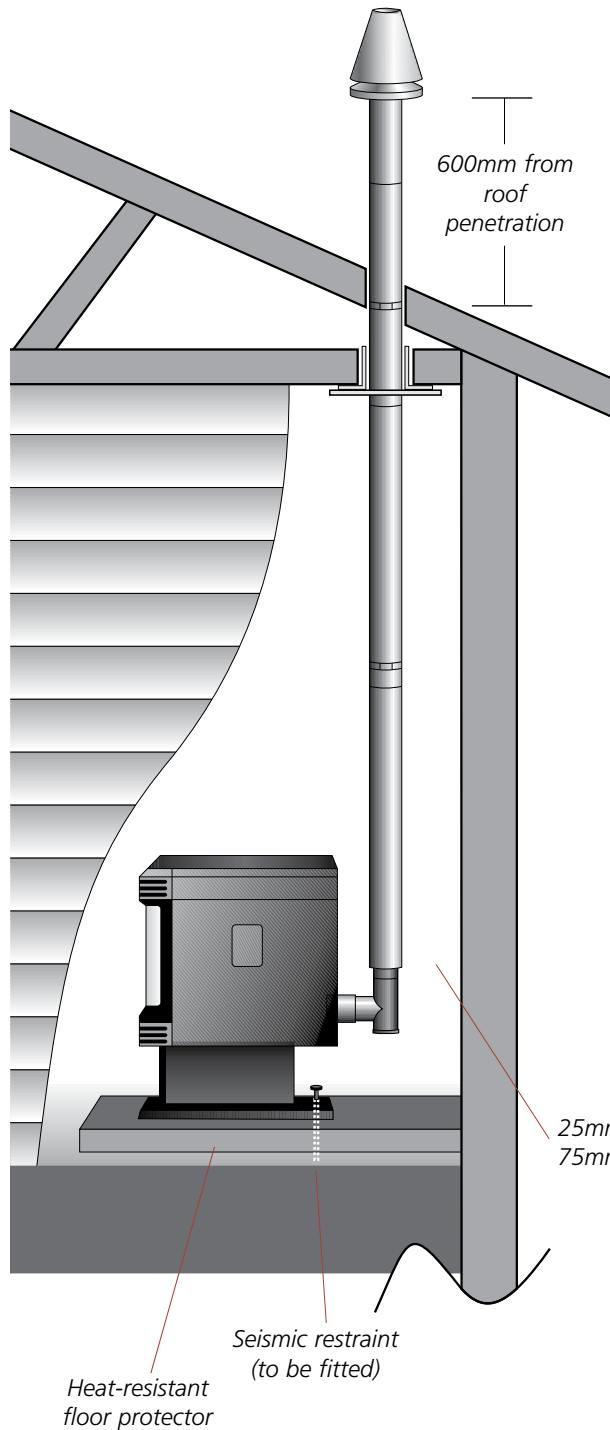
Note: The Davin 50SBDN Internal Standard Flue Kit complies with AS/NZS 2918:2001 as per Applied Research Test Report 05/1185, dated 15 September 2005.

All fires must be installed by a qualified installer as per the manufacturer's instructions and AS/NZS2918:2001.



50SBele Internal Standard Flue Kit Elena

This flue kit may be used in new and replacement applications in rooms with stud height of 2.4m. The overall height of the flue is 3.6m. The visible flue is finished in black and the ceiling plate is white. The support angles for securing the liner to the ceiling are not shown. Kit is supplied in a carton.



Each 50SBele Internal Standard Flue Kit contains:-

Part No	Description	Quantity
1	Galvanised outer liner ø100mm x 900mm long	1
1sb	Black Stovebright outer liner ø100mm x 900mm long	3
2	Stainless steel inner liner ø75mm x 900mm long	4
5	Inner/outer flue liner spacer	2
6c	Ceiling thimble ø107mm hole	1
7c	Ceiling decor plate ø107mm hole – white	1
46	Velocity cone	1
9	Rain Cap 100mm	1
15sb	Elbow 45° – ø75mm stainless – black (painted)	1
13sb	T-adaptor/cleanout – ø75mm – black (painted)	1
702	Support angle 950mm long – 40mm x 40mm sides	2

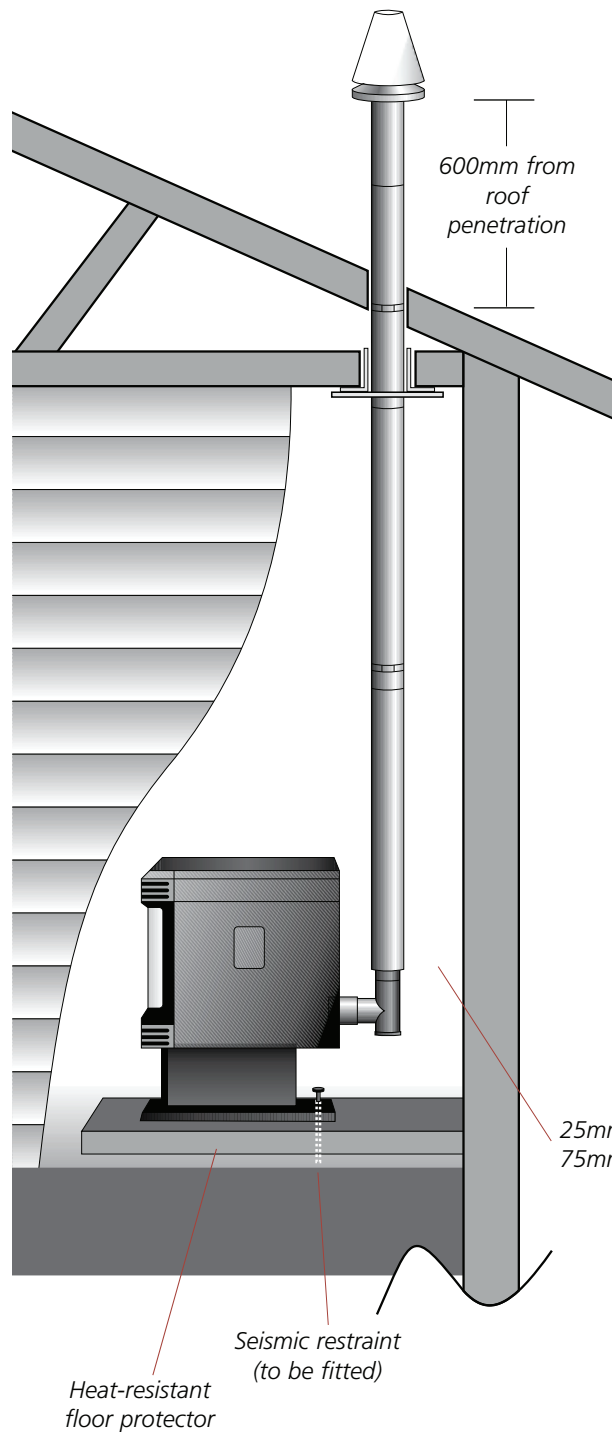
Note: The Davin 50 S/B Internal Standard Flue Kit complies with AS/NZS 2918:2001 as per Applied Research Test Report 05/1185, dated 15 September 2005.

All fires must be installed by a qualified installer as per the manufacturer's instructions.



50SBPom Internal Standard Flue Kit Pompeii

This flue kit may be used in new and replacement applications in rooms with stud height of 2.4m. The overall height of the flue is 3.6m. The visible flue is finished in black and the ceiling plate is white. The support angles for securing the liner to the ceiling are not shown. Kit is supplied in a carton.



Each 50SBPom Internal Standard Flue Kit contains:-

Part No	Description	Quantity
1	Galvanised outer liner ø100mm x 900mm long	1
1sb	Black Stovebright outer liner ø100mm x 900mm long	3
2	Stainless steel inner liner ø75mm x 900mm long	4
5	Inner/outer flue liner spacer	2
6c	Ceiling thimble ø107mm hole	1
7c	Ceiling decor plate ø107mm hole – white	1
46	Velocity cone	1
9	Rain Cap 100mm	1
13SB	T-adaptor/cleanout – ø75mm – black (painted)	1
702	Support angle 950mm long – 40mm x 40mm sides	2

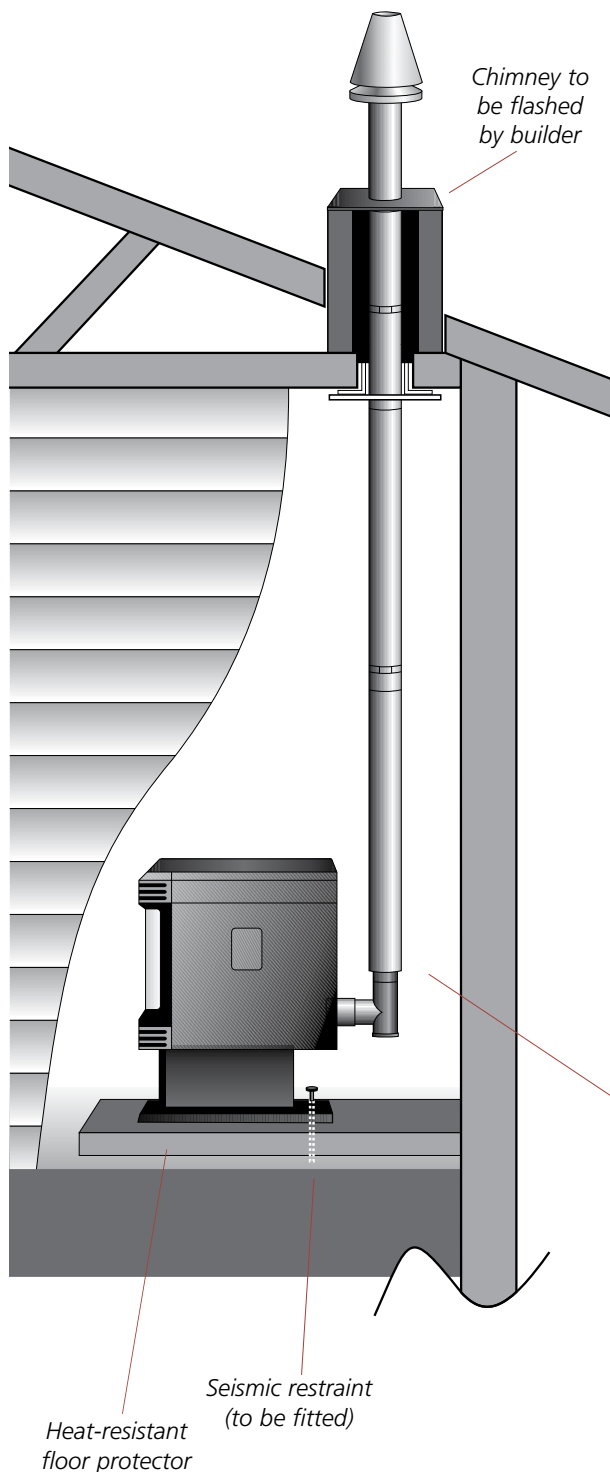
Note: The Davin 50 S/B Internal Standard Flue Kit complies with AS/NZS 2918:2001 as per Applied Research Test Report 05/1185, dated 15 September 2005.

All fires must be installed by a qualified installer as per the manufacturer's instructions.



50:1

Internal Standard Flue Kit (Chimney installation)



This flue kit may be used in new or existing timber chimneys. The overall height of the flue is 3.6m. The visible flue is finished in black and the ceiling plate is white. The support angles for securing the liner to the ceiling are not shown. Kit is supplied in a carton.

Each 50:1 Internal Standard Flue Kit
(Chimney installation) contains:-

Part No	Description	Quantity
1	Galvanised outer liner ø100mm x 900mm long	1
1sb	Black stove bright outer liner ø100mm x 900mm long	3
2	Stainless steel inner liner ø75mm x 900mm long	4
5	Inner/outer flue liner spacer	2
6c	Ceiling thimble ø107mm hole	1
7c	Ceiling decor plate ø107mm hole – white	1
46	Velocity cone	1
9	Rain Cap 100mm	1
10sb	Elbow 45° – ø75mm stainless steel (<i>painted</i>)	1
12sb	T-adaptor/cleanout – ø75mm – black (<i>painted</i>)	1
702	Support angle 950mm long – 40mm x 40mm sides	2

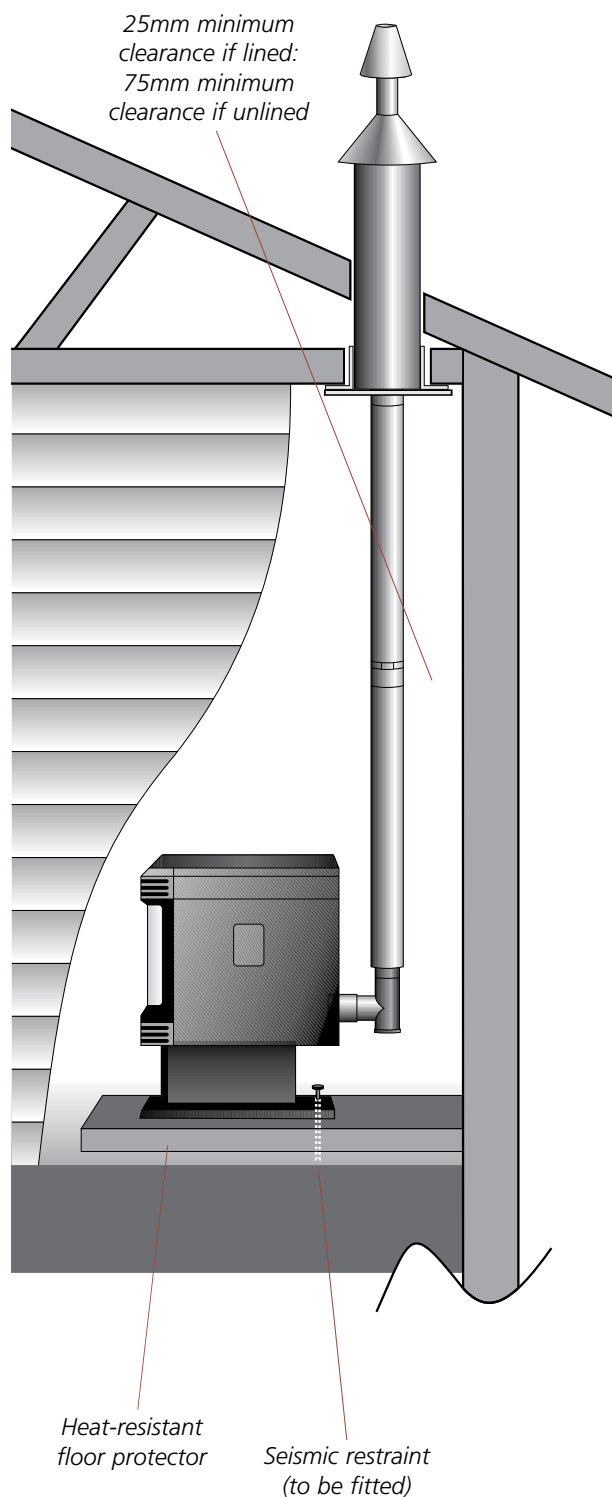
25mm minimum clearance if lined:
75mm minimum clearance if unlined

Note: The Davin 50:1 Internal Standard Flue Kit (Chimney) complies with AS/NZS 2918:2001 as per Applied Research Test Report 05/1185, dated 15 September 2005. All fires must be installed by a qualified installer as per the manufacturer's instructions.



50:2

Internal Standard Flue Kit (Replacement installation)



This flue kit may be used in replacement applications in rooms with stud height of 2.4m. The overall height of the flue is 3.6m. The visible flue is finished in black and the ceiling plate is white. Kit is supplied in a carton.

Each 50:2 Internal Standard Flue Kit (Replacement installation) contains:-

Part No	Description	Quantity
1	Galvanised outer liner ø100mm x 900mm long	1
1sb	Black stove bright outer liner ø100mm x 900mm long	3
2	Stainless steel inner liner ø75mm x 900mm long	4
5	Inner/outer flue liner spacer	2
6c	Ceiling thimble ø107mm hole	1
7c	Ceiling decor plate ø107mm hole – white	1
46	Velocity cone	1
9*	Rain Cap 100mm	1
10sb	Elbow 45° – ø75mm stainless steel (painted)	1
12sb	T-adaptor/cleanout – ø75mm – black (painted)	1
702	Support angle 950mm long – 40mm x 40mm sides	2
74	Casing cover – standard ø75mm - ø300mm	1
918	Ceiling plate 380mm sq x ø105mm hole	1

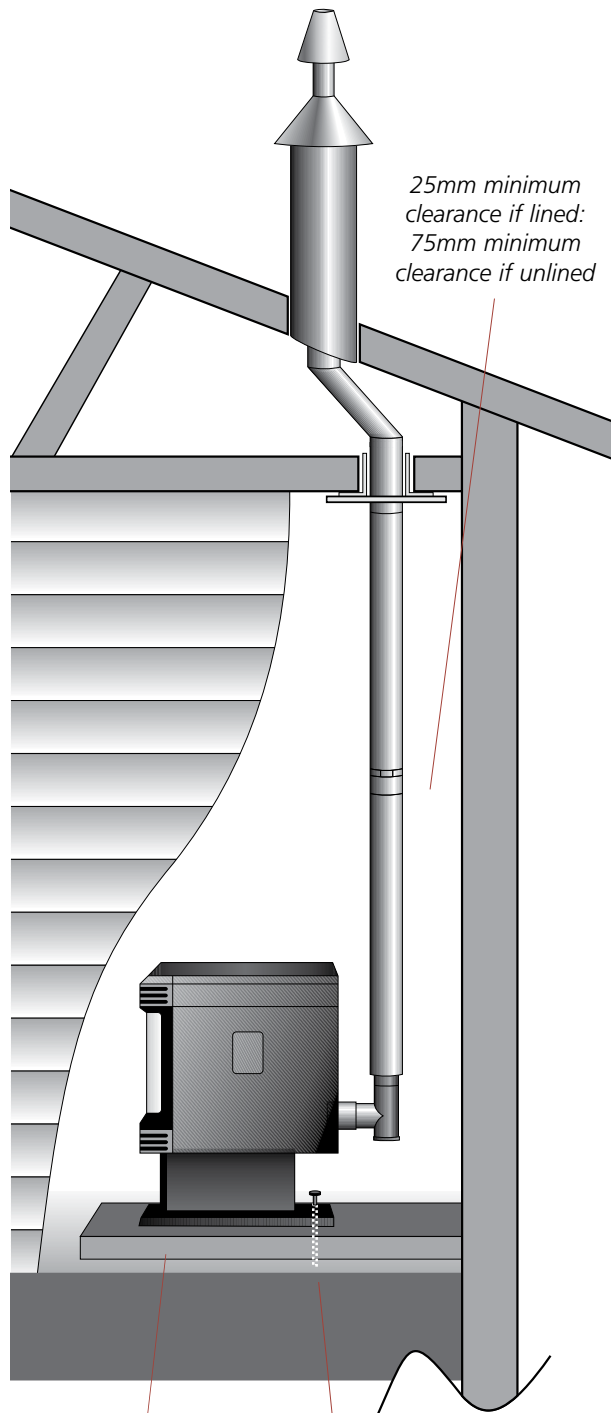
9* Rain cap 100mm remains in the 50:2 kit but may not be required in this installation

Note: The Davin 50:2 Internal Standard Flue Kit (Replacement) complies with AS/NZS 2918:2001 as per Applied Research Test Report 05/1185, dated 15 September 2005. All fires must be installed by a qualified installer as per the manufacturer's instructions.



50:3

Internal Standard Flue Kit (Telescopic installation)



This flue kit may be used in new and replacement applications where the roof opening is off-centre to the internal flue, in rooms with stud height of 2.4m. The overall height of the flue is 3.6m. The visible flue is finished in black and the offset ceiling plate is white. Kit is supplied in a carton.

Each 50:3 Internal Standard Flue Kit (Telescopic installation) contains:-

Part No	Description	Quantity
1	Galvanised outer liner ø100mm x 900mm long	1
1sb	Black stove bright outer liner ø100mm x 900mm long	3
2	Stainless steel inner liner ø75mm x 900mm long	4
5	Inner/outer flue liner spacer	2
46	Velocity cone	1
9*	Rain Cap 100mm	1
10	Telescopic offset ø75mm stainless (2 x 45° bends)	1
10sb	Elbow 45° – ø75mm stainless – black (painted)	1
11	Telescopic offset ø100mm galvanised (2 x 45° bends)	1
12sb	T-adaptor/cleanout – ø75mm – black (painted)	1
74	Casing cover – standard ø75mm - ø300mm	1
937	Ceiling plate 400 x 500mm – offset hole ø107mm	1
702	Support angle 950mm long – 40mm x 40mm sides	2

9* Rain cap 100mm remains in the 50:3 kit but may not be required in this installation

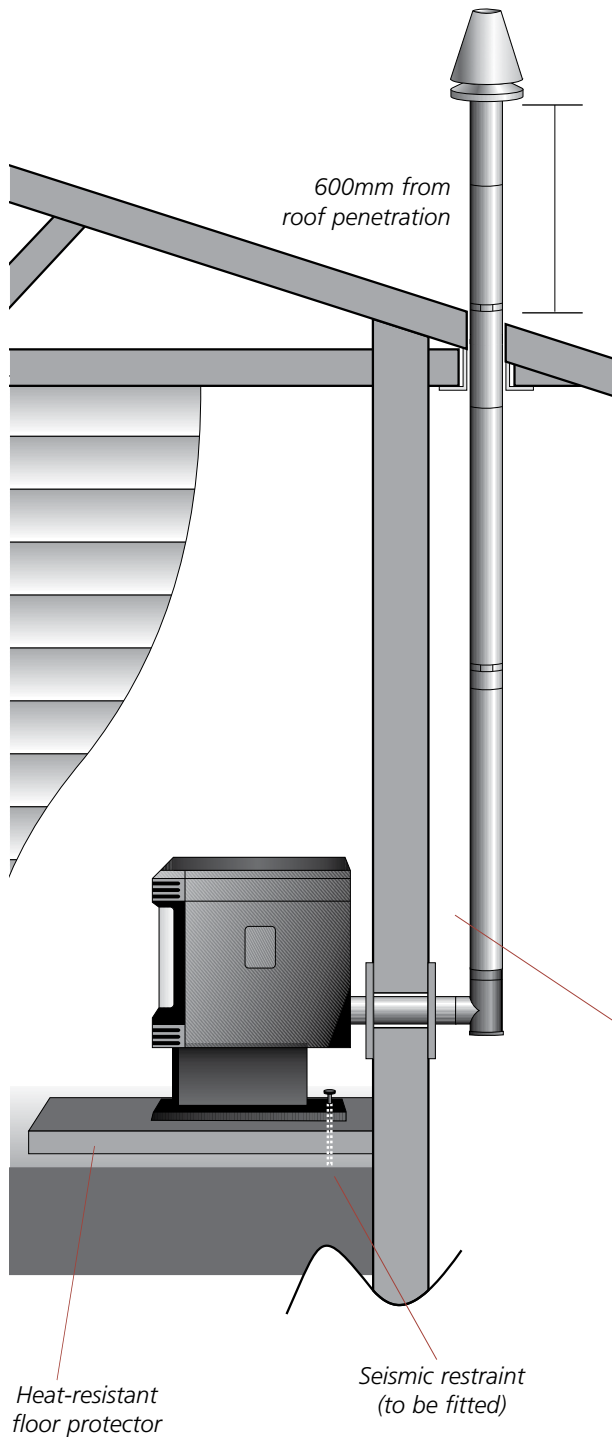
Note: The Davin 50:3 Internal Standard Flue Kit (Telescopic) complies with AS/NZS 2918:2001 as per Applied Research Test Report 05/1185, dated 15 September 2005. All fires must be installed by a qualified installer as per the manufacturer's instructions.

Heat-resistant
floor protector

Seismic restraint
(to be fitted)



This flue kit may be used in new and replacement applications with the flue penetrating the wall behind the fire, running vertically up an outside wall and penetrating the soffit. The overall height of the flue is 3.6m. All visible flue has a galvanised finish, and can be powdercoated on request. Kit is supplied in a carton.



Each 51 External Standard Flue Kit contains:-

Part No	Description	Quantity
1	Galvanised outer liner ø100mm x 900mm long	4
2	Stainless steel inner liner ø75mm x 900mm long	4
5	Inner/outer flue liner spacer	2
6w	Wall thimble – 2 pieces ø102mm holes	1
6s	Soffit thimble ø102mm hole	1
7w	Wall decor plate ø102mm hole – white	1
46	Velocity cone	1
9	Rain Cap 100mm	1
26	Lined T-adaptor	1

*25mm minimum clearance if lined:
75mm minimum clearance if unlined*

Note: The Davin 51 External Standard Flue Kit complies with AS/NZS 2918:2001 as per Applied Research Test Report 05/1185, dated 15 September 2005.

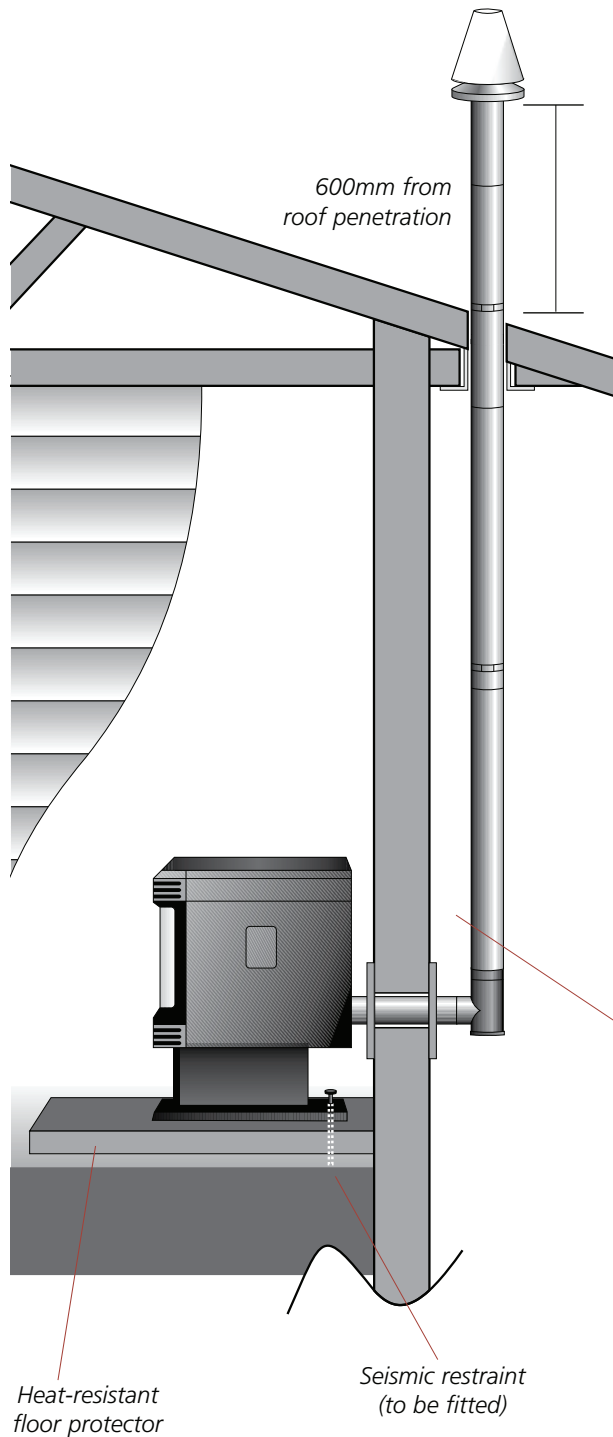
All fires must be installed by a qualified installer as per the manufacturer's instructions.



51ita

External Standard Flue Kit

This flue kit may be used in new and replacement applications with the flue penetrating the wall behind the fire, running vertically up an outside wall and penetrating the soffit. The overall height of the flue is 3.6m. All visible flue has a galvanised finish, and can be powdercoated on request. Kit is supplied in a carton.



Each 51 External Standard Flue Kit (Italian) contains:-

Part No	Description	Quantity
1	Galvanised outer liner ø100mm x 900mm long	4
2	Stainless steel inner liner ø75mm x 900mm long	4
5	Inner/outer flue liner spacer	2
6w	Wall thimble – 2 pieces ø102mm holes	1
6s	Soffit thimble ø102mm hole	1
7w	Wall decor plate ø102mm hole – white	1
46	Velocity cone	1
9	Rain Cap 100mm	1
26	Lined T-adaptor	1
73	76-80mm Adaptor	1

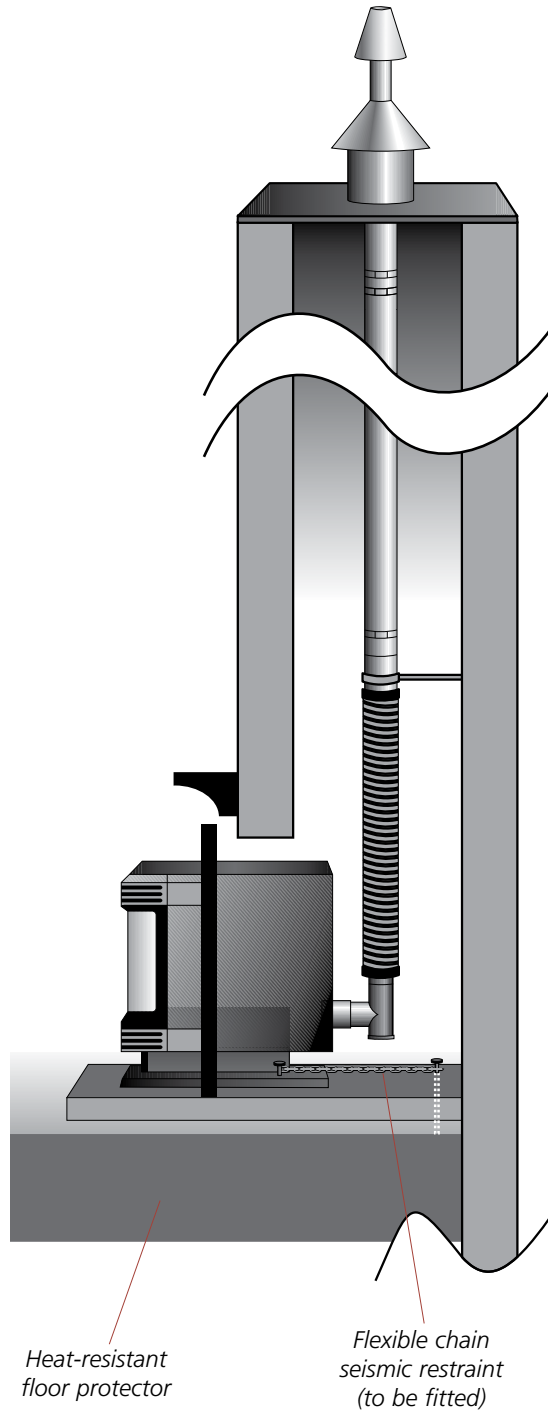
25mm minimum clearance if lined:
75mm minimum clearance if unlined

Note: The Davin 51 External Standard Flue Kit complies with AS/NZS 2918:2001 as per Applied Research Test Report 05/1185, dated 15 September 2005.

All fires must be installed by a qualified installer as per the manufacturer's instructions.



This flue kit may be used in replacement applications in masonry chimneys. The overall height of the flue is 5.5m. Kit is supplied in two cartons.



Each 52 Insert Flue Kit contains:-

Part No	Description	Quantity
2	Stainless steel inner liner ø75mm x 900mm long	5
46	Velocity cone	1
12	T-adaptor/cleanout – ø75mm	1
16	Clamp – flexible flue to stainless flue pipe	1
19	Flexible flue pipe – stainless steel ø75mm x 1m	1
21	Bracket 75mm securing flue pipe to wall	1
74	Casing cover – standard ø75mm - ø300mm	1

Note: The Davin 52 Insert Flue Kit complies with AS/NZS 2918:2001 as per Applied Research Test Report 05/1185, dated 15 September 2005.

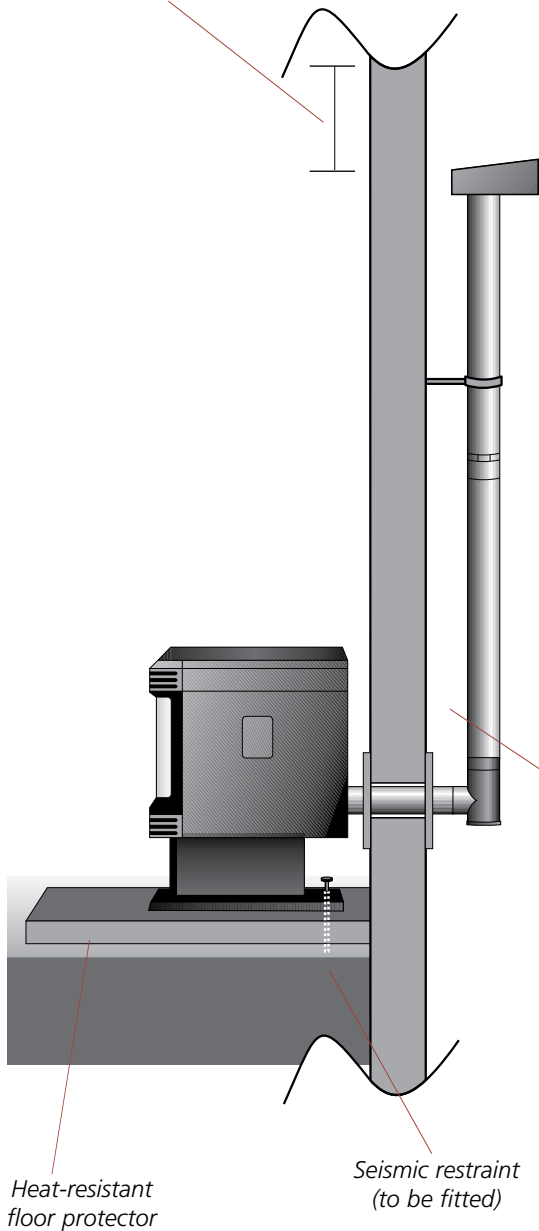
All fires must be installed by a qualified installer as per the manufacturer's instructions.



53 *External Vent Flue Kit*

This flue kit may be used in new and replacement applications with the flue penetrating the wall behind the fire, running vertically up an outside wall and the flue venting horizontally from the vent. This must not be under a soffit. The overall height of the flue is 2.7m. All visible flue has a galvanised finish, and can be powdercoated on request. Kit is supplied in a carton.

Vent must be no less than 610mm under an eave; 1220mm below a window



Each 53 External Vent Flue Kit contains:-

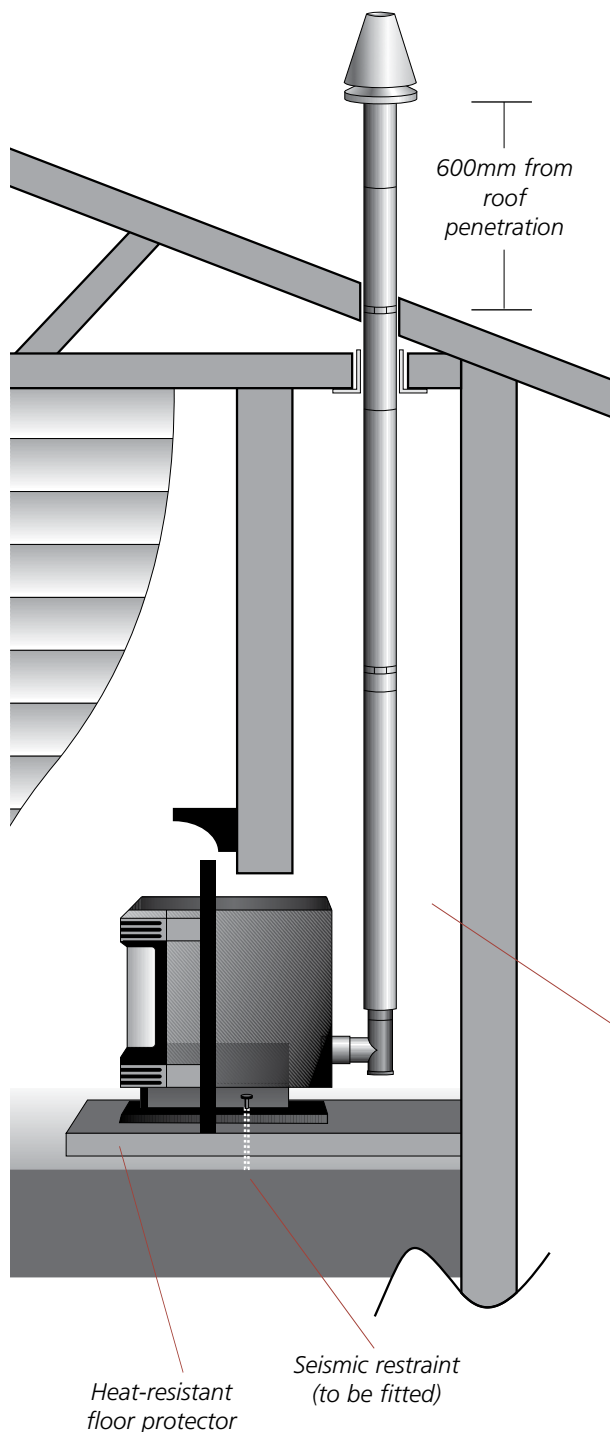
Part No	Description	Quantity
1	Galvanised outer liner ø100mm x 900mm long	4
2	Stainless steel inner liner ø75mm x 900mm long	4
5	Inner/outer flue liner spacer	2
6w	Wall thimble – 2 pieces ø102mm holes	1
7w	Wall decor plate ø102mm hole – white	1
22	Bracket 100mm securing flue pipe to wall	1
26	Lined T-adaptor	1
30	Vent	1

*25mm minimum clearance if lined;
75mm minimum clearance if unlined*

Note: The Davin 53 External Vent Flue Kit complies with AS/NZS 2918:2001 as per Applied Research Test Report 05/1185, dated 15 September 2005. All fires must be installed by a qualified installer as per the manufacturer's instructions.



Built-in-Heater Flue Kit (non-Chimney installation)



This flue kit may be used in new or existing timber chimneys. The overall height of the flue is 3.6m. Kit is supplied in a carton.

Each 54 Built-in-Heater Flue Kit (non-Chimney installation) contains:-

Part No	Description	Quantity
1	Galvanised outer liner ø100mm x 900mm long	4
2	Stainless steel inner liner ø75mm x 900mm long	4
5	Inner/outer flue liner spacer	2
6c	Ceiling thimble ø107mm hole	1
46	Velocity cone	1
9	Rain cap 100mm	1
10a	Elbow 45° – ø75mm stainless steel	1
12	T-adaptor/cleanout – ø75mm	1
702	Support angle 950mm long – 40mm x 40mm sides	2

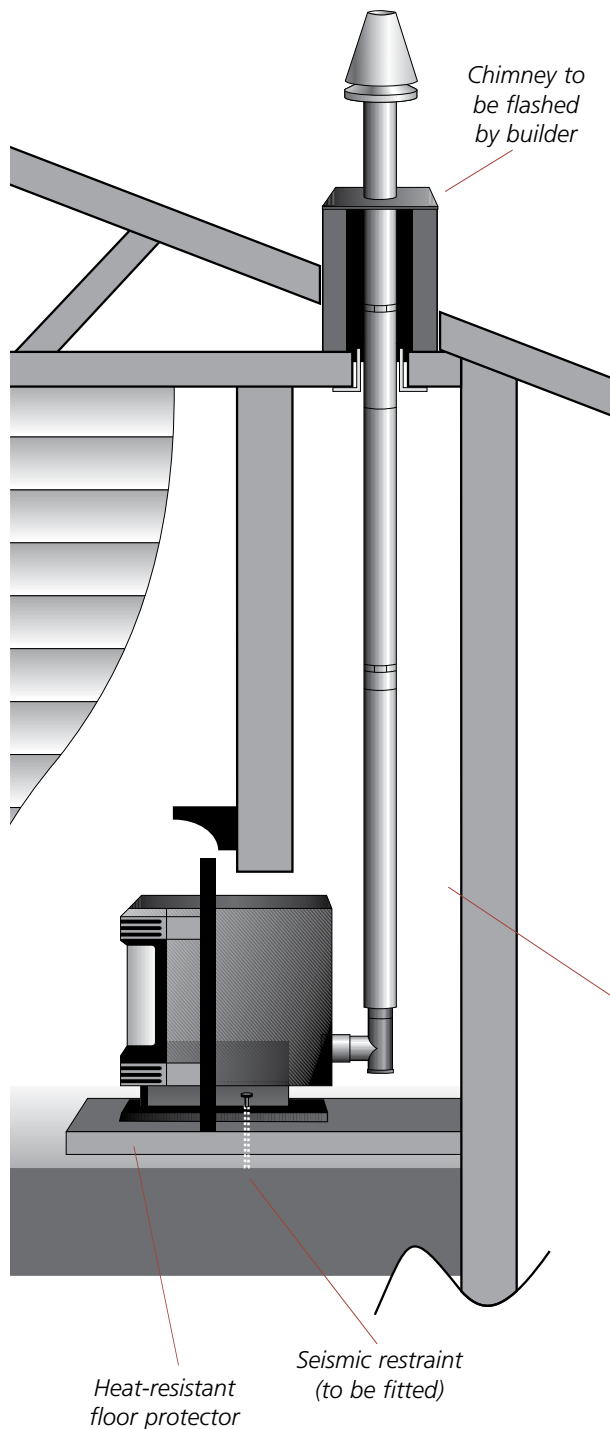
25mm minimum clearance if lined:
75mm minimum clearance if unlined

Note: The Davin 54 Built-in-Heater Flue Kit (non-Chimney) complies with AS/NZS 2918:2001 as per Applied Research Test Report 05/1185, dated 15 September 2005. All fires must be installed by a qualified installer as per the manufacturer's instructions.



54:1 Built-in-Heater Flue Kit (Chimney installation)

This flue kit may be used in new or existing timber chimneys. The overall height of the flue is 3.6m. Kit is supplied in a carton.



Each 54:1 Built-in-Heater Flue Kit
(Chimney installation) contains:-

Part No	Description	Quantity
1	Galvanised outer liner ø100mm x 900mm long	4
2	Stainless steel inner liner ø75mm x 900mm long	4
5	Inner/outer flue liner spacer	2
6c	Ceiling thimble ø107mm hole	1
46	Velocity cone	1
9	Rain cap 100mm	1
10	Telescopic offset 75mm (Stainless) - (2 x 45° bends)	1
10a	Elbow 45° - ø75mm stainless steel	1
11	Telescopic offset 100mm (Galvanised) - (2 x 45° bends)	1
12	T-adaptor/cleanout - ø75mm	1
702	Support angle 950mm long - 40mm x 40mm sides	2

25mm minimum clearance if lined:
75mm minimum clearance if unlined

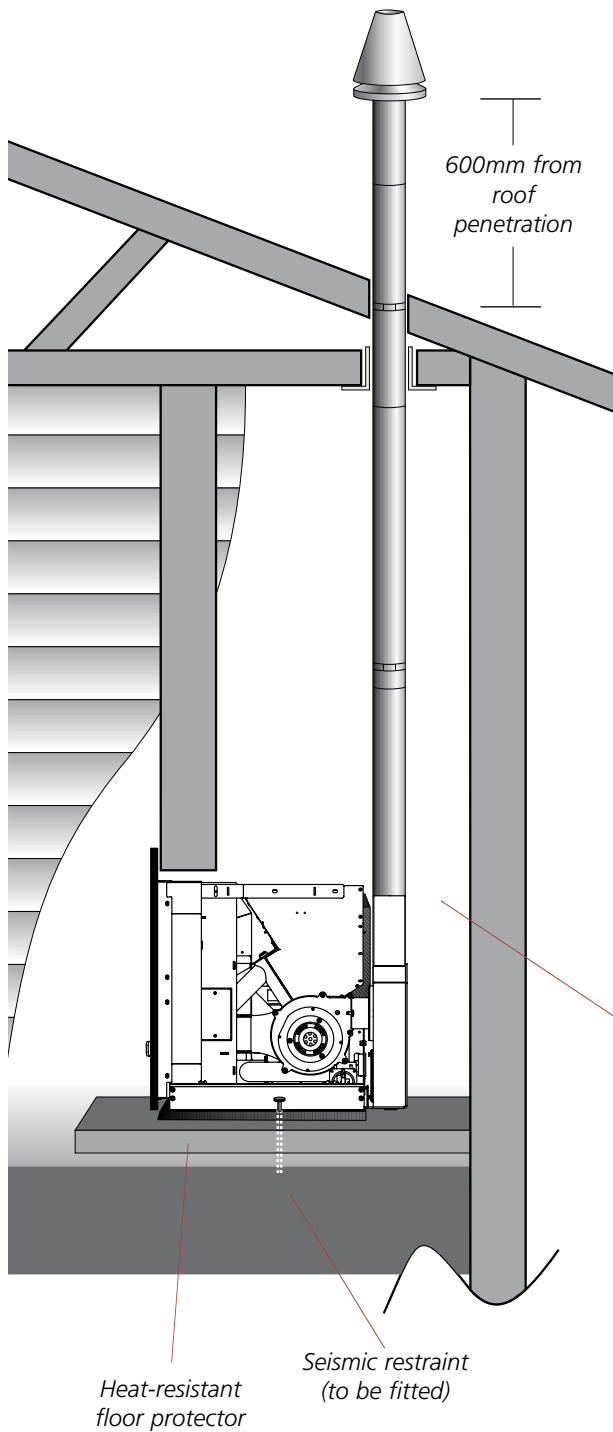
Note: The Davin 54:1 Built-in-Heater Flue Kit (Chimney) complies with AS/NZS 2918:2001 as per Applied Research Test Report 05/1185, dated 15 September 2005.

All fires must be installed by a qualified installer as per the manufacturer's instructions.



55

Ravelli Sara & Camino - new home (non-Chimney installation)



This flue kit may be used in new or existing timber chimneys. The overall height of the flue is 3.6m. Kit is supplied in a carton.

Each 55 Built-in-Heater Flue Kit (non-Chimney installation) contains:-

Part No	Description	Quantity
1	Galvanised outer liner ø100mm x 900mm long	4
2	Stainless steel inner liner ø75mm x 900mm long	4
5	Inner/outer flue liner spacer	2
6c	Ceiling thimble ø107mm hole	1
46	Velocity cone	1
9	Rain cap 100mm	1
702	Support angle 950mm long – 40mm x 40mm sides	2

*25mm minimum clearance if lined:
75mm minimum clearance if unlined*

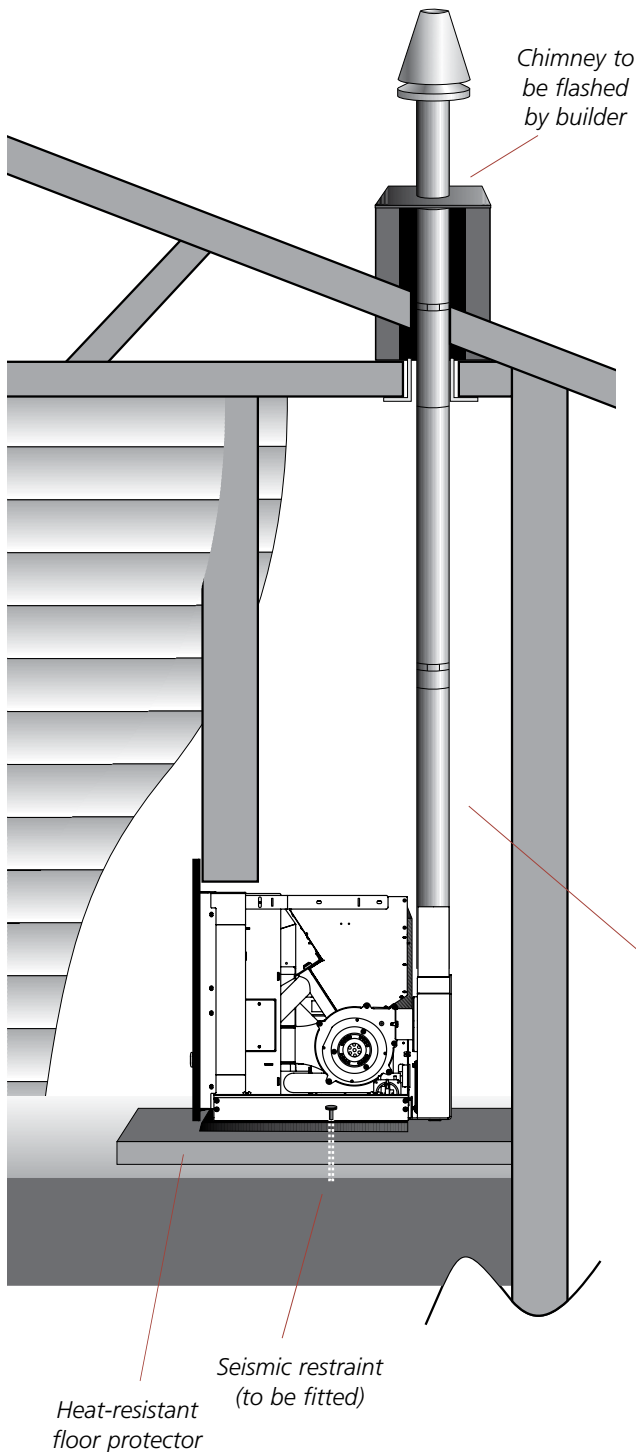
Note: The Davin 55 Built-in-Heater Flue Kit for Sara and Camino (non-Chimney) complies with AS/NZS2918:2001 as per Applied Research Test Report 05/1185, dated 15 September 2005.

All fires must be installed by a qualified installer as per the manufacturer's instructions.



55:1

Ravelli Sara & Camino - new home (Chimney installation)



This flue kit may be used in new or existing timber chimneys. The overall height of the flue is 3.6m. Kit is supplied in a carton.

Each 55:1 Built-in-Heater Flue Kit
(Chimney installation) contains:-

Part No	Description	Quantity
1	Galvanised outer liner ø100mm x 900mm long	4
2	Stainless steel inner liner ø75mm x 900mm long	4
5	Inner/outer flue liner spacer	2
6	Ceiling Thimble ø107mm hole	1
46	Velocity cone	1
9	Rain cap 100mm	1
10	Telescopic offset 75mm (Stainless) - (2 x 45° bends)	1
11	Telescopic offset 100mm (Galvanised) - (2 x 45° bends)	1
702	Support angle 950mm long - 40mm x 40mm sides	2

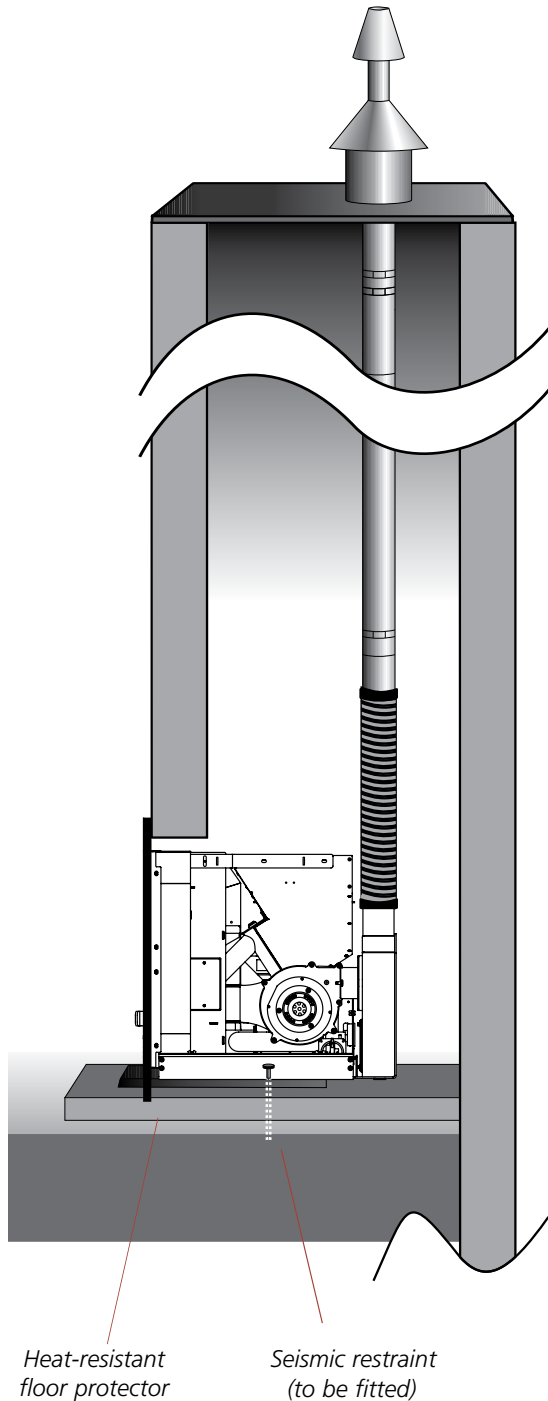
25mm minimum clearance if lined:
75mm minimum clearance if unlined

Note: The Davin 55:1 Built-in-Heater Flue Kit for Sara and Camino (chimney) complies with AS/NZS 2918:2001 as per Applied Research Test Report 05/1185, dated 15 September 2005.
All fires must be installed by a qualified installer as per the manufacturer's instructions.



56 *Ravelli Sara Insert Flue Kit*

This flue kit may be used in replacement applications in masonry chimneys. The overall height of the flue is 6.0m. Kit is supplied in two cartons.



Each 56 Insert Flue Kit contains:-

Part No	Description	Quantity
2	Stainless steel inner liner ø75mm x 900mm long	5
4	Stainless steel inner ø75mm x 500mm long	1
46	Velocity cone	1
16	Clamp – flexible flue to stainless flue pipe	2
19	Flexible flue pipe – stainless steel ø75mm x 1m	1
74	Casing cover – standard ø75mm - ø300mm	1

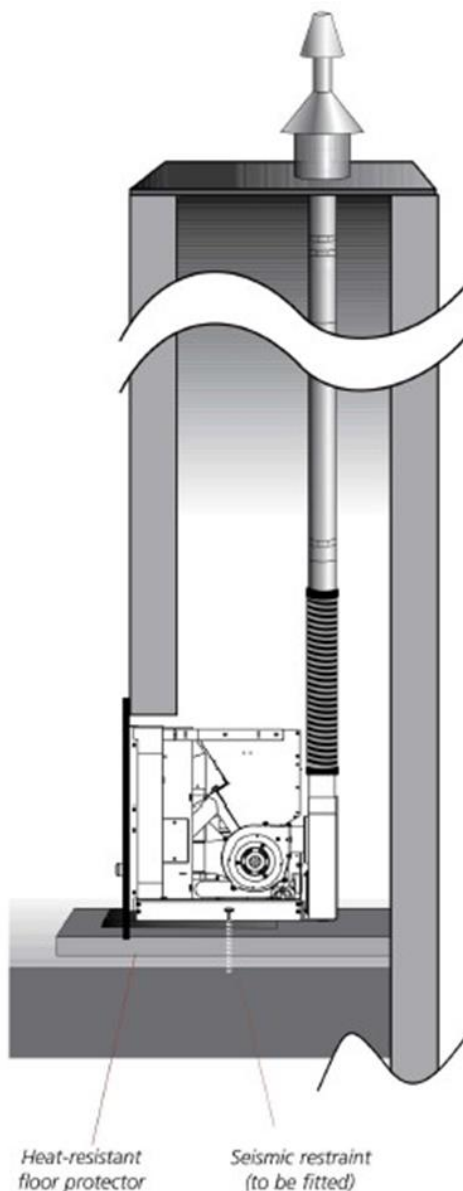
Note: The Davin 56 Insert Flue Kit for Ravelli Sara complies with AS/NZS 2918:2001 as per Applied Research Test Report 05/1185, dated 15 September 2005. All fires must be installed by a qualified installer as per the manufacturer's instructions.



57.

Ravelli Sofia Insert Flue Kit

This flue kit may be used in replacement applications in masonry chimneys. The overall height of the flue is 6.0m. Kit is supplied in one carton.



Part No	Description	Quantity
2	Stainless steel inner liner 75mmØ x 900mm long	5
10B	75 mm OD 45° Elbow (No Crimp)	1
16	Clamp - flexible flue to stainless flue pipe	2
19	Flexible flue pipe - stainless steel 75mmØ x 1m	1
46	Velocity Cone	1
73.	76 - 80mm Ravelli Adaptor	1
74.	Casing Cover - standard 75mmØ x 300mmØ	1

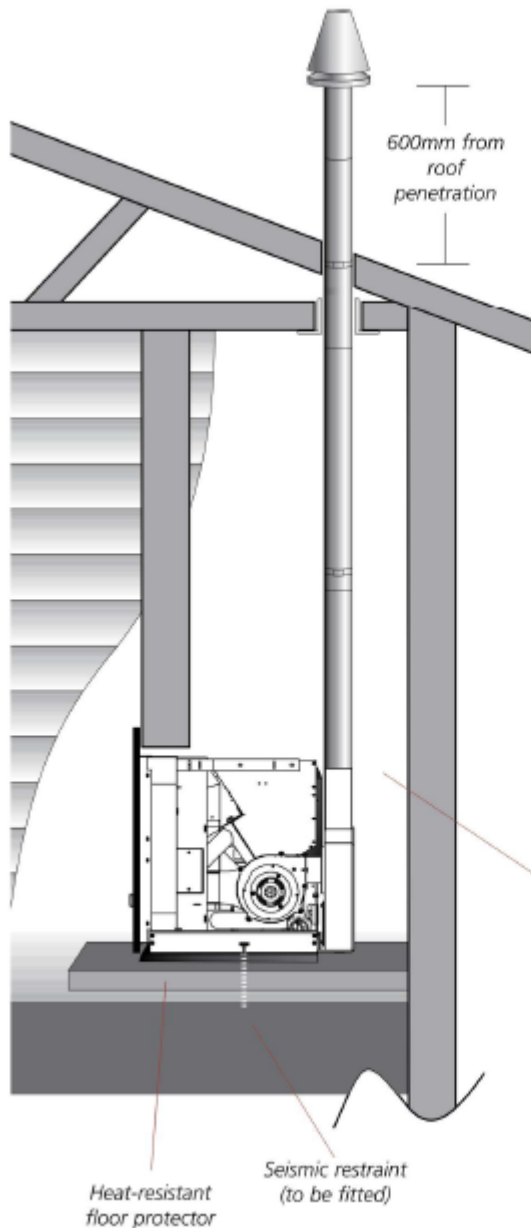
Note: The Davin 57 Insert Flue Kit for Ravelli Sofia complies with AS/NZS 2918:2001 as per Applied Research Test Report 05/1185, dated 15 September 2005.

All fires must be installed by a qualified installer as per the manufacturer's instructions.



58.

Ravelli Sofia and Corina – new home non-Chimney installation



This flue kit may be used in new or existing timber chimneys. The overall height of the flue is 3.6m. Kit is supplied in a carton.

Each 58 Built-in-Heater Flue kit (non-Chimney installation) contains:-

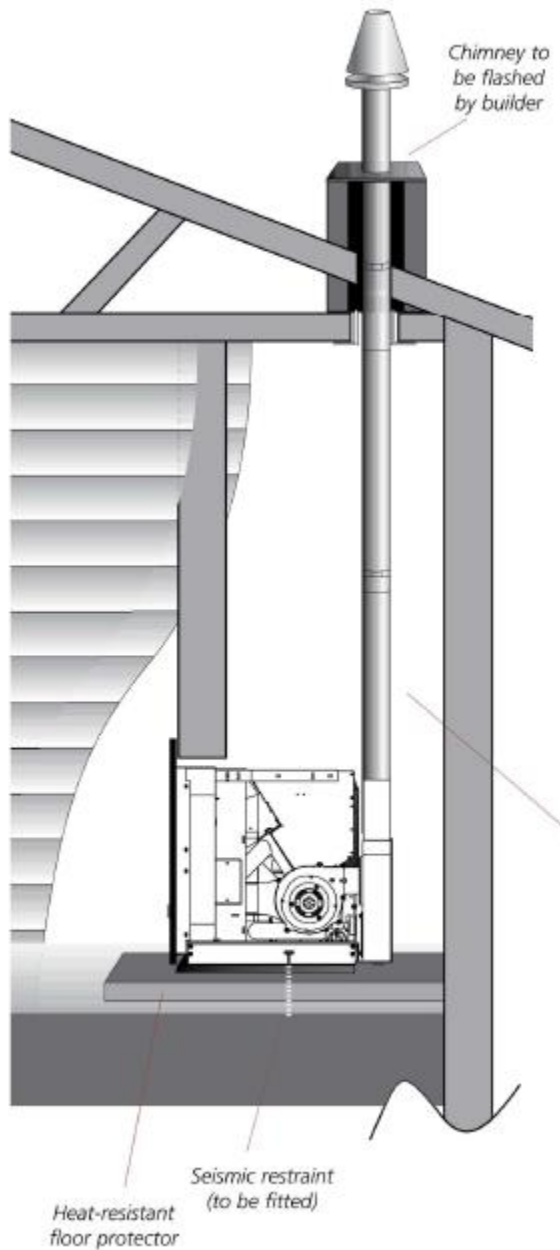
Part No	Description	Quantity
1	Galvanized Outer Flue Liner 100mmØ x 900mm long	4
2	Stainless Steel inner Liner 75mmØ x 900mm	4
5	Inner/Outer Flue Liner Spacer	2
6c	Ceiling Thimble 107mmØ Hole	1
9	Rain Cap 100mmØ	1
46	Velocity Cone	1
73.	76 - 80mm Ravelli Adaptor	1
702	Support Angle 950mmLong x 40mm x 40mm	2

Note: The Davin 58 Built-in-Heater Flue Kit for Sara and Corina (non-Chimney) complies with AS/NZS 2918:2001 as per Applied Research Test Report 05/1185, dated 15th September 2005. All fires must be installed by a qualified installer as per the manufacturer's instructions.

58.1

***Ravelli Sofia and Corina – new home
(Chimney installation)***

This flue kit may be used in new or existing timber chimneys. The overall height of the flue is 3.6m. Kit is supplied in a carton.



*Each 58 Built-in-Heater Flue kit
(Chimney installation) contains:-*

Part No	Description	Quantity
1	Galvanized Outer Flue Liner 100mmØ x 900mm long	4
2	Stainless Steel inner Liner 75mmØ x 900mm	4
5	Inner/Outer Flue Liner Spacer	2
6c	Ceiling Thimble 107mmØ Hole	1
9	Rain Cap 100mmØ	1
10	Telescopic offset 75mmØ	1
11	Telescopic offset 100mmØ	1
46	Velocity Cone	1
73.	76 - 80mm Ravelli Adaptor	1
702	Support Angle 950mmLong x 40mm x 40mm	2

*25mm minimum clearance if lined.
75mm minimum clearance if unlined*

Note: The Davin 58.1 Built-in-Heater Flue Kit for Sara and Corina (Chimney) complies with AS/NZS 2918:2001 as per Applied Research Test Report 05/1185, dated 15th September 2005. All fires must be installed by a qualified installer as per the manufacturer's instructions.