

**Enviro Evolution EF5 Freestanding
Wood Pellet Burning Heater**



**Enviro Evolution EF5 Freestanding
Wood Pellet Burning Heater
Installation Specifications**

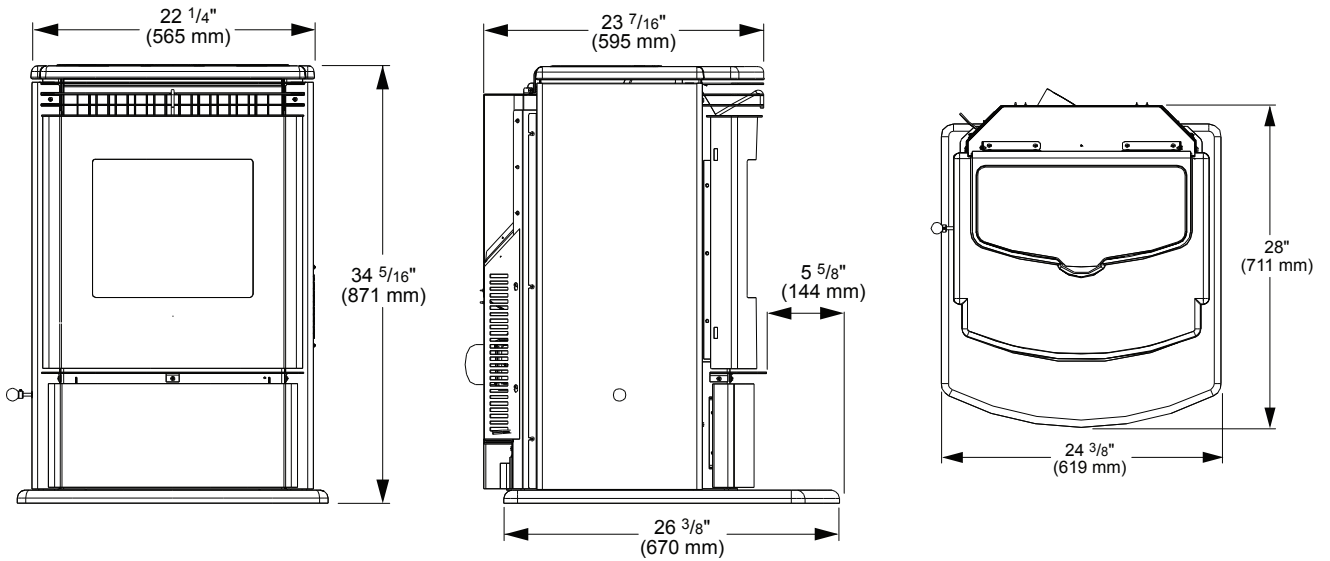
Safety testing of EF5 Evolution FS CB Pellet Burning Heater to AS/NZS 2918:2001. ARS 09/1981 & 05/1183

Emissions: ARS 07/1664

Flue Kit Testing to AS/NZS 2918:2001 AppF: ARS 05/1185

Installation

Dimensions – Evolution EF5 Freestanding



Installation Clearances & Specifications

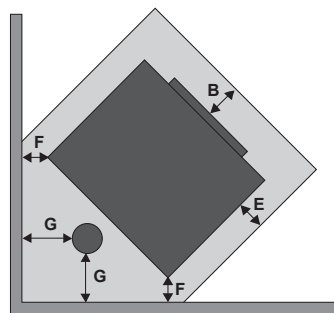
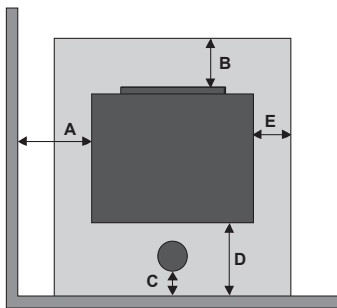
Minimum clearances shown are in millimetres. All Enviro fires are tested to AS/NZS 2918:2001. Specifications were correct at time of printing but may alter and those detailed below should be used as a guide only. Refer to the Installation and Operation Manual supplied with every Enviro Pellet Fire or if in doubt, consult your Retailer. Refer to Safety Test 09/1981 for all clearances to combustibles.

Clearances to Combustibles

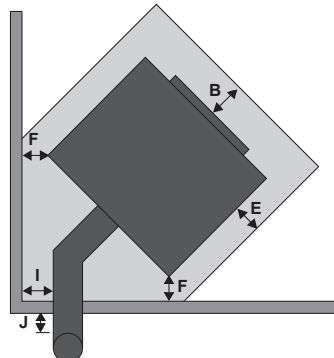
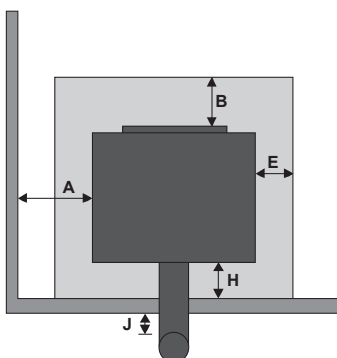
Enviro Evolution EF5 Pellet Fire Clearance to Combustibles



Internal Flue



External Flue



Freestanding
Clearances

Location	Dimension (mm)
A	200
B	150
C*	50
D	N/A
E	N/A
F	100
G*	50
H	100
I*	50
J*	25

* from shielded flue
* 75mm to unlined flue

Note: AS/NZS 2918:2001 requires a minimum of 100mm clearance for any side requiring access.

Note: These are minimum clearances to combustibles. Actual installation distances may be greater.

Location of the Pellet Fire

Installation of the Enviro Evolution Wood Pellet Burning Heater should be undertaken by an experienced installer. Please read the Evolution Owners/Technical Manual thoroughly before commencing installation as failure to follow the instruction could cause damage to the pellet fire or property.

Positioning the fire:

Generally the Evolution should be installed in a centrally located position within the home. When deciding where to position the appliance in your room you need to consider the following:

- Location of a power source
- The Evolution has a convection fan which blows air through tubes in the direction that the fire faces, for optimum performance this location should be in a large room centrally located.
- The Evolution comes with its own hearth pad. This complies with the hearth requirements and the fire can be installed on a combustible surface.
- The Evolution has been Safety Tested to AS/NZS 2918:2001 using the Davins manufactured flue. Test Report ARS 05/1185. Installation is not exclusive to these nominated kits, though alternative flue should only be considered following consultation with your local Council.
- Please consult pages above for the required clearances to combustible material, also ensure the position of structural elements near the proposed flue.
- Because of the positive pressure in the flue, sealing of all 75mm stainless joints is mandatory – use high temperature sealant. Both inner and outer flue joints must be riveted.
- Warranty: To validate warranty following installation, a copy of the completed Warranty/ Producers Statement must be forwarded to: info@pelletfiresolutions.co.nz

SEISMIC RESTRAINT:

All installation scenarios for the Enviro Evolution EF5 require the use of hold-down anchors (one on each side)

Fixing to Concrete Floor:

Minimum M8 expansion anchors (M10 recommended) or min M8 epoxy- set anchors.

Approved Anchors: Expansion Anchors-Ramset Dynabolt and Trubolt, Hilti HAS.

Epoxy-set Anchors – Ramset Epcon, Ramset Chemset and Hilti HVU.

Fixing to Timber Floor Framing:

Minimum 14g x 60 screws (6.3mm diameter) or M10 X 90 coach-screws. These shall be fixed a minimum of 40mm into the centre-line of the existing floor joists. If screws cannot be installed directly into an existing floor joist, solid blocking between joists (min size 90x45) shall be provided.